

**M @MASSPRODUCTIONS**

**M MIRROR**  
**AI-0180**

**M MASSPRODUCTIONS.SE**

**M ASSEMBLY INSTRUCTIONS**

**M MASSPRODUCTIONS**

**M MASSPRODUCTIONS**



Components included can cause a potential choking hazard!

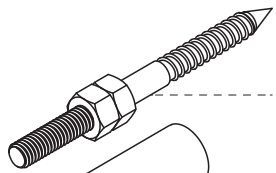


Assembly time:  
20 min

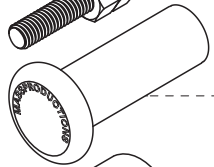


Questions? Contact  
[info@massproductions.se](mailto:info@massproductions.se)

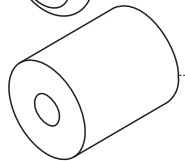
#### Included components:



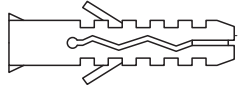
Double-sided M6 bolt with 2 nuts



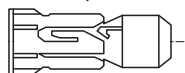
Knob



Spacer



Rawlplug A (8\*40) for hard walls (concrete, bricks...)



Rawlplug B (12\*27) for soft walls  
(gypsum plasterboard, fibreboard, wooden panels...)

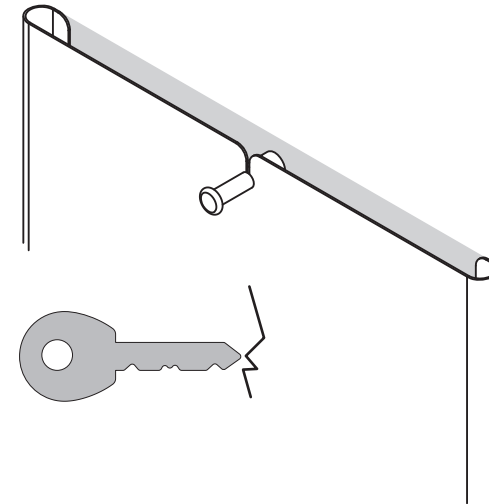
M

5

#### USE & CLEANING



Clean the mirror surface with a neutral detergent, a clean microfibre cloth and lukewarm water. Ensure there is no dust or grit in the cloth before use. Alternatively, use a mixture of water and 10%-15% alcohol or vinegar. Dry thoroughly.



#### CAUTION!

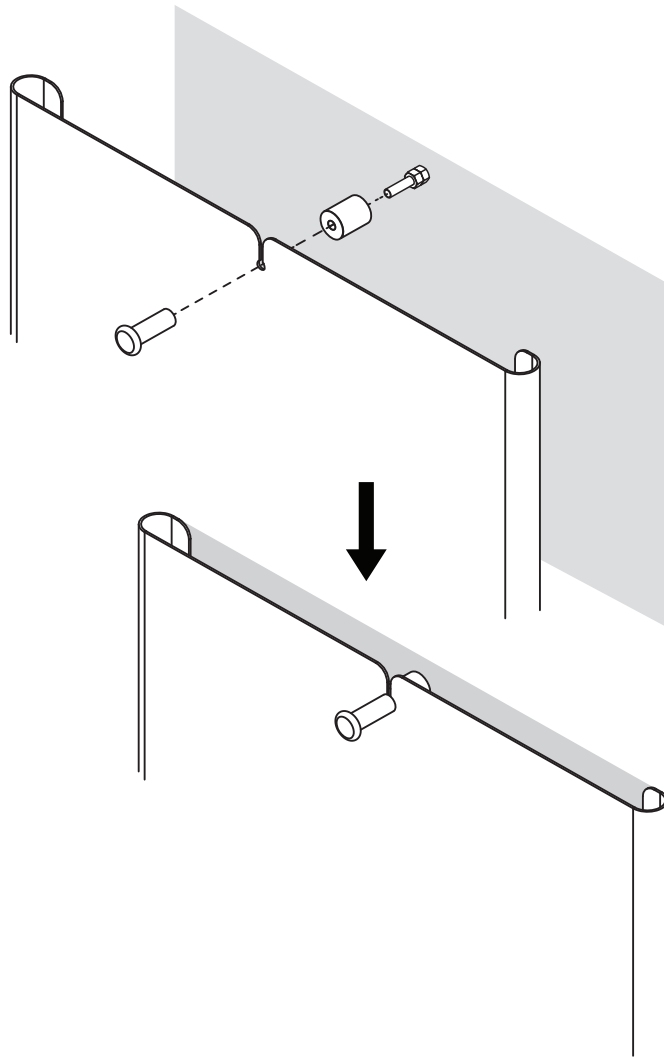
Avoid scratching the surface with abrasives or sharp objects. Hang only soft items from the knob.

Avoid bleach, ammonia, solvents and abrasive pastes.

M

**4**

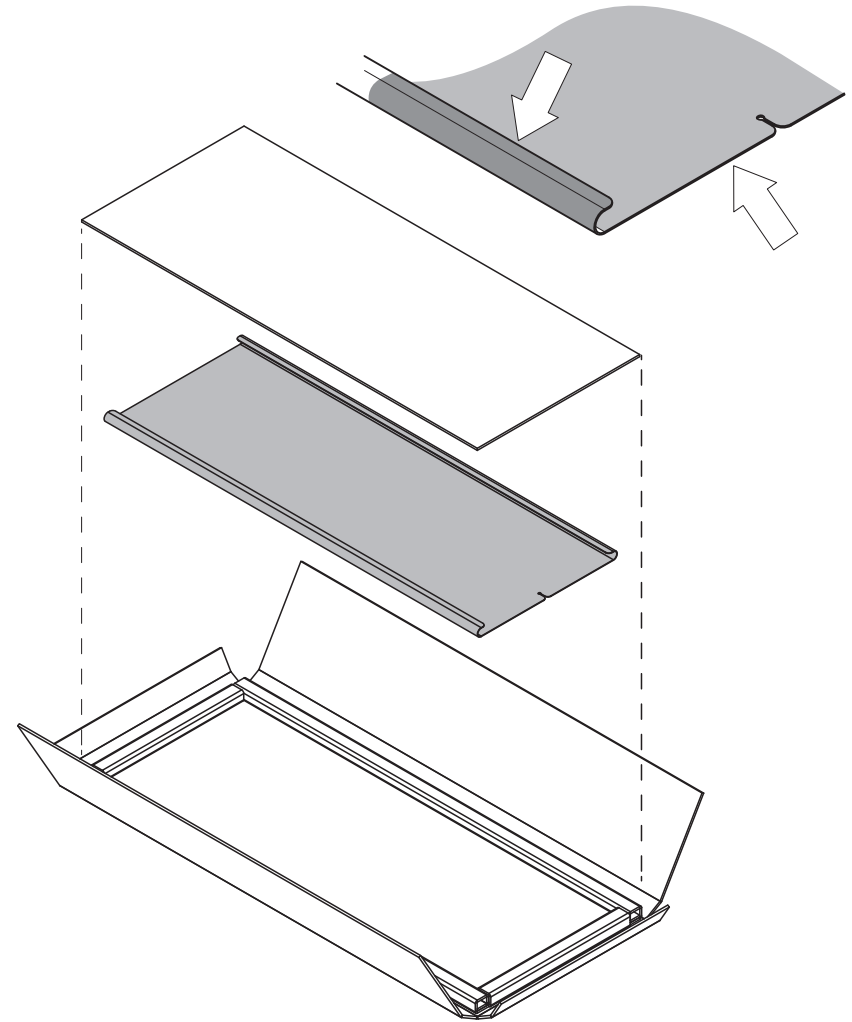
Place the steel spacer and the mirror as shown and secure to the wall with the knob. In order to have a completely flat mirror surface (to prevent image distortion), you may need to make the knob a little looser or tighter.



**M**

**1**

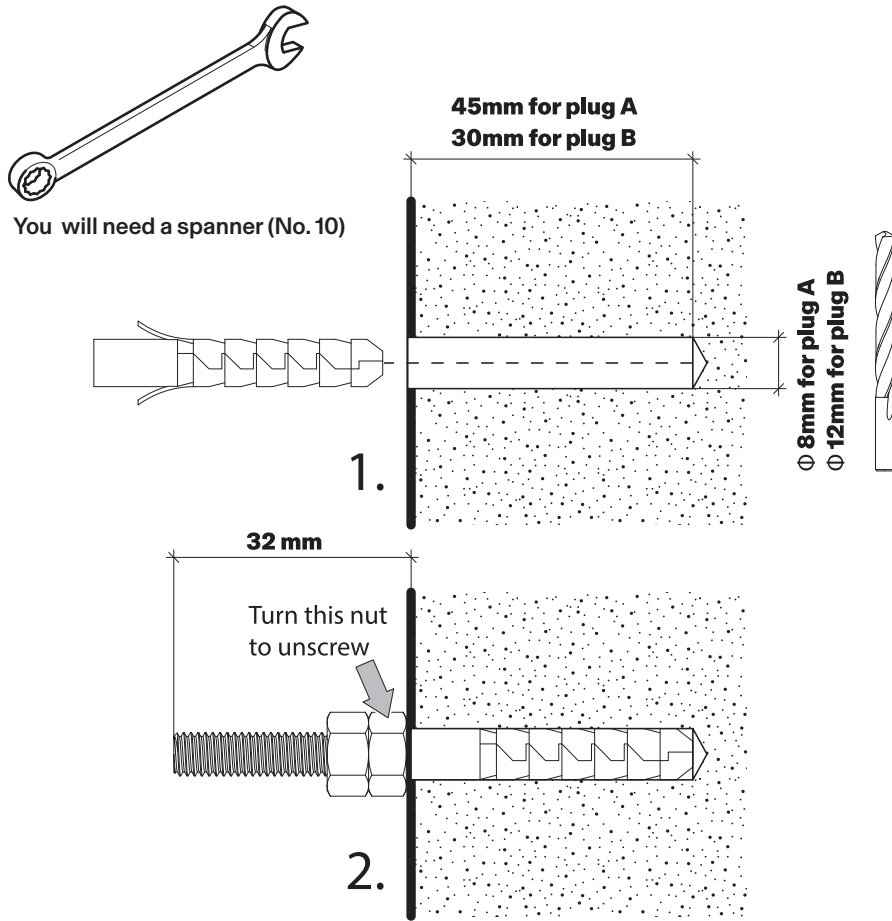
Unpack the mirror, be careful handling the edges as they can be sharp!



**M**

**2**

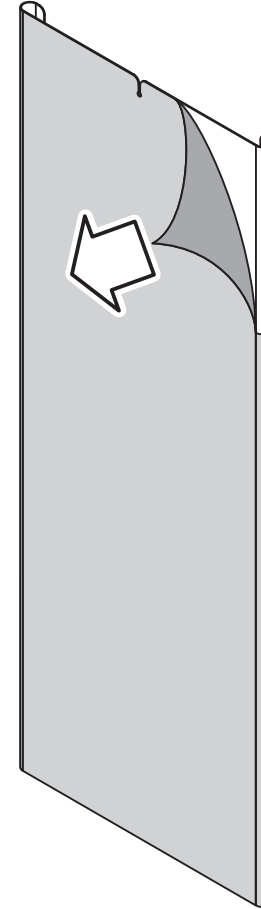
Mark the position of the mirror on the wall. You will need to use the correct drill bit and Rawlplugs for your wall material (concrete, plaster, wood etc.). For the provided Rawlplugs, the drill bit and the length of the hole should be as shown below. Push the Rawlplug into the wall and make sure that it is flush. Screw in the double-sided bolt (including 2 nuts) using a spanner. Make sure the nuts are fully tightened and that the screw protrudes by 32mm as shown. Note: To unscrew, turn the nut closest to the wall (as shown).



**M**

**3**

Remove the cover carefully.



**M**